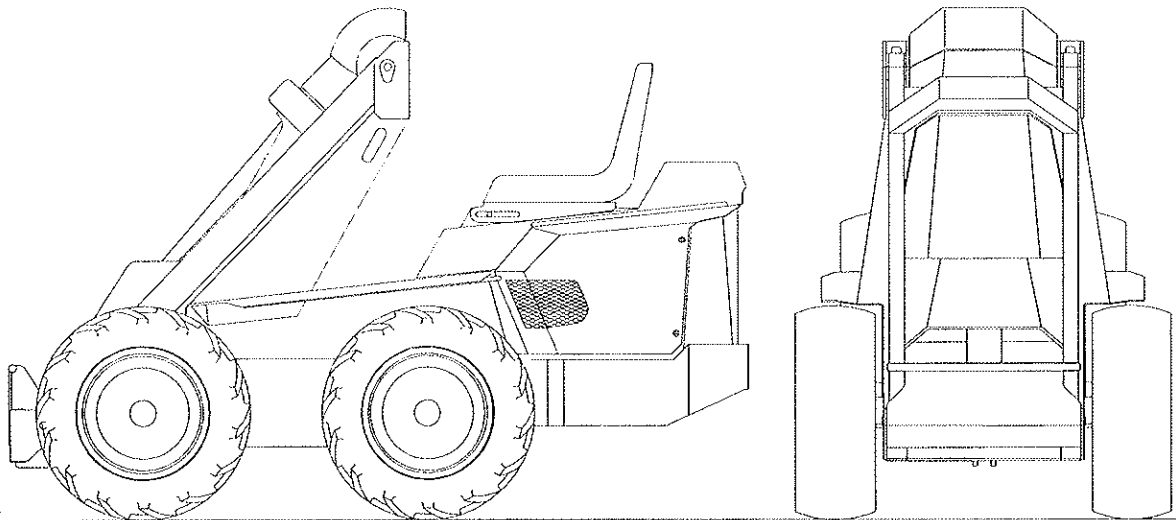


AVANT 314

14 hp DIESEL

Parts list



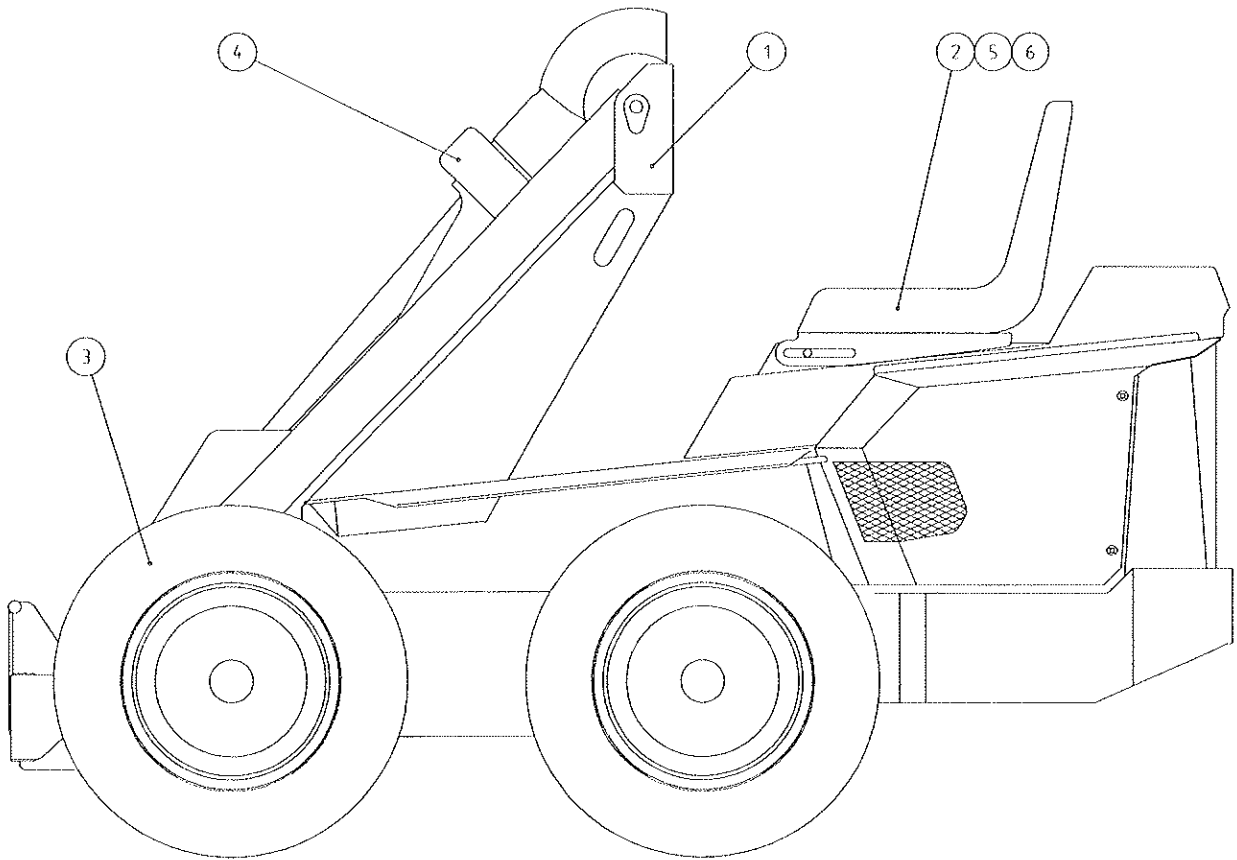
AVANT
AVANT TECNO OY

AVANT TECNO OY
Ylötie 1, FIN-33470 YLÖJÄRVI, FINLAND
Tel. int. +358 3 34 78 800
Telefax +358 3 34 85 511
E-mail sales@avanttecono.com

TABLE OF CONTENTS

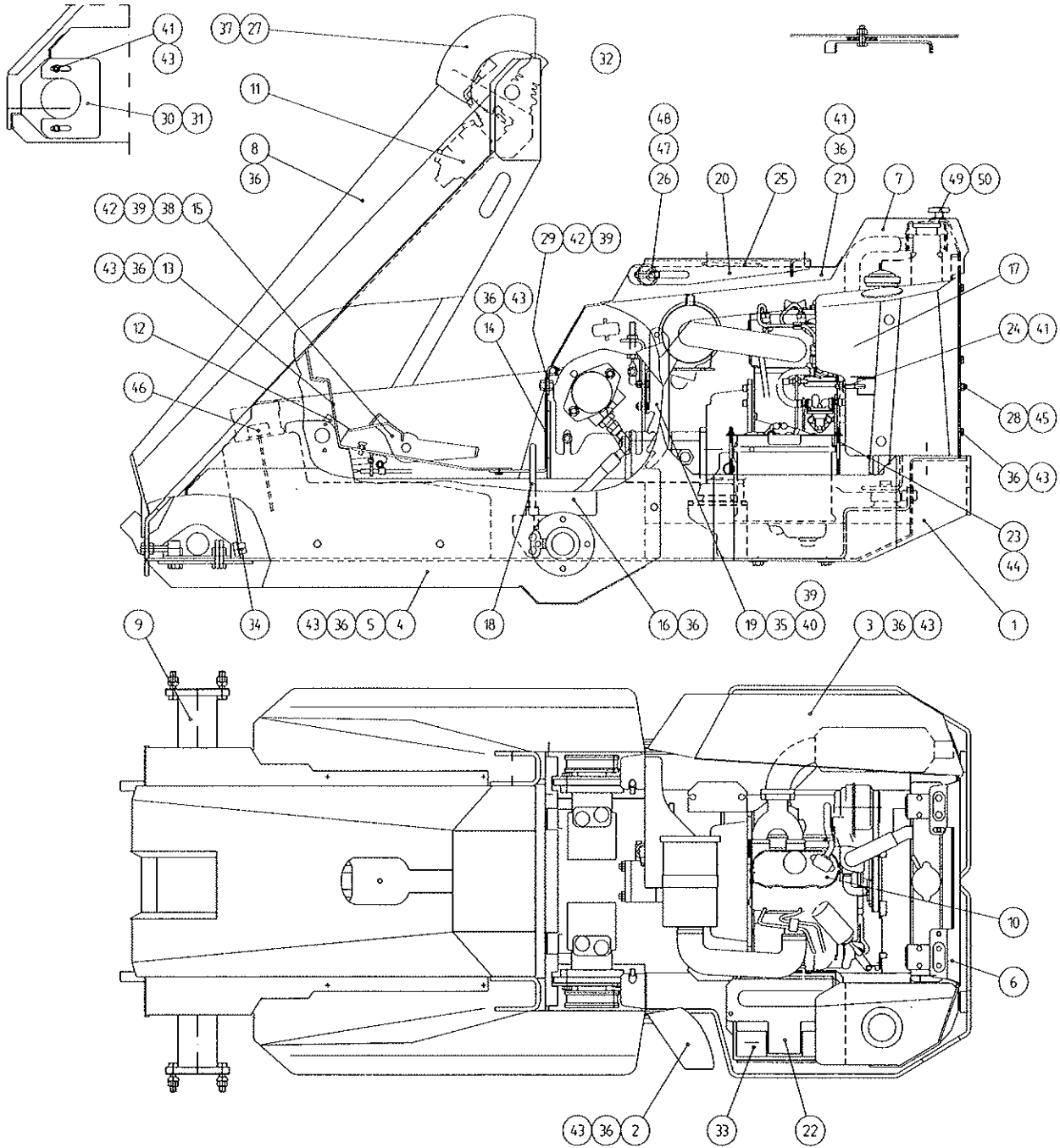
AVANT 314, ASSEMBLY A2766	3
FRAME, ASSEMBLY / AVANT 314 A2764	4,5
ENGINE, ASSEMBLY AVANT 314 A2765	6,7
LOADER BOOM STD., ASSEMBLY A31832	8
TRANSMISSION, DRIVE, ASSY AVANT 314 A31632	9
FOOT THROTTLE, ASSEMBLY A42530	10
PARKING BRAKE A31116	11
HYDRAULIC SYSTEM, ASSEMBLY AVANT 313 & 314 2-PUMP	12,13

AVANT 314 ASSEMBLY A2766



1	A2764	1	FRAME ASSY AVANT 314
2	64106	1	SEAT PRAMA ART.205SC
3	64164	4	WHEEL GRASS PROFILE 20*8.00-10/4PR
4	A2487	1	LOADER BOOM, ASSEMBLY
5	73039	4	HEXAGONAL SCREW M 8* 16 DIN 933 ZN
6	73354	4	WASHER M 8 9 DIN 126 ZN

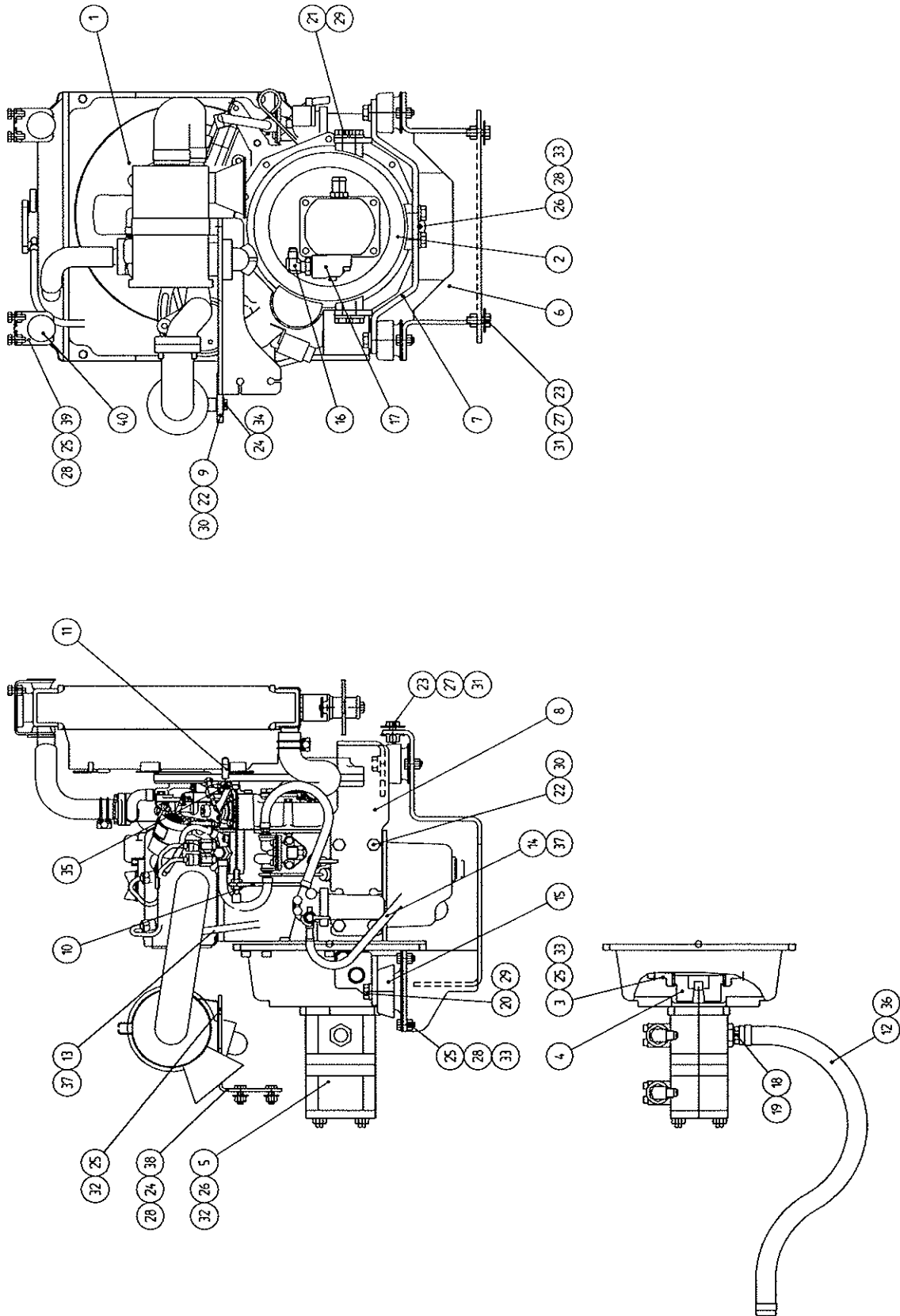
FRAME, ASSEMBLY AVANT 314 A2764



AVANT 314 PARTS LIST

FRAME, ASSEMBLY, AVANT 314		A2764
1	A2689	1 FRAME, ASSEMBLY
2	A43537	1 COVER PLATE, LEFT
3	A43538	1 COVER PLATE, RIGHT
4	A43480	1 CHAIN COVER, LEFT, ASSEMBLY
5	A43481	1 CHAIN COVER, RIGHT, ASSEMBLY
6	A43435	1 SUPPORT FRAME
7	A43298	1 COVER
8	A31564	1 COVER PLATE (BONNET)
9	A31632	1 TRANSMISSION, DRIVE, AVANT 314
10	A2765	1 ENGINE, ASSEMBLY, Z482 AVANT 314
11	A2749	1 HYDRAULICS, AVANT 314
12	A42530	1 THROTTLE PEDAL
13	A43118	1 BOTTOM PLATE, FRONT
14	A43462	1 BOTTOM PLATE, REAR
15	A43532	1 THROTTLE PEDAL LOCKING LEVER
16	A42897	2 COVER PLATE, WHEEL HUB, 2*110*144
17	A43530	1 FUEL TANK, 12.5 L
18	A31116	1 PARKING BRAKE, COMPLETE
19	A43181	1 SUPPORT LEVER
20	A31013	1 SEAT BASE
21	A43123	1 SEAT SUPPORT PLATE
22	A43149	1 BATTERY HOLDING PLATE
23	A43323	2 BATTERY SUPPORT CLAMP
24	A43431	1 SUPPORT
25	A31014	1 SEAT LOCKING HANDLE
26	A41867	1 PIVOT PIN, SEAT
27	A31542	1 FINGER PROTECTING COVER
28	A43432	1 SCREW ROD
29	A41952	2 HINGE LOOP, WELDING ASSEMBLY
30	A43466	2 SEAL PLATE, REAR
31	A43465	2 SEAL PLATE, FRONT
32	A1247	1 WIRE HARNESS, 40A, KUBOTA DIESEL
33	64199	1 BATTERY 12V 48AH
34	74411	1 HEXAGONAL PLUG HF 3/8"
35	72151	1 HEXAGONAL SCREW M10*30 DIN 933 ZN
36	73039	30 HEXAGONAL SCREW M8*16 DIN 933 ZN
37	72116	4 HEXAGONAL SCREW M6*12 DIN 933 ZN
38	A43541	1 RUBBER WASHER F60 S=10
39	72322	4 HEXAGONAL NUT M10 DIN 985 NYLOC
40	72321	1 HEXAGONAL NUT M10 DIN 934
41	72320	10 HEXAGONAL NUT M8 DIN 985 NYLOC
42	74423	1 WASHER (M10) 11 DIN 226
43	73354	30 WASHER M8 DIN 125 ZN
44	72317	2 HEXAGONAL NUT M6 DIN 934
45	74450	1 BOX NUT M8 DIN 1587 ZN
46	A3958	1 DIPSTICK-BREATHER
47	73356	1 WASHER M12 DIN 126 ZN
48	71725	1 RING SPLINT 4,5 MM
49	64355	2 FINGER SCREW SR 4522 M8 17S
50	71685	2 WASHER M8 R9 DIN 440ZN K

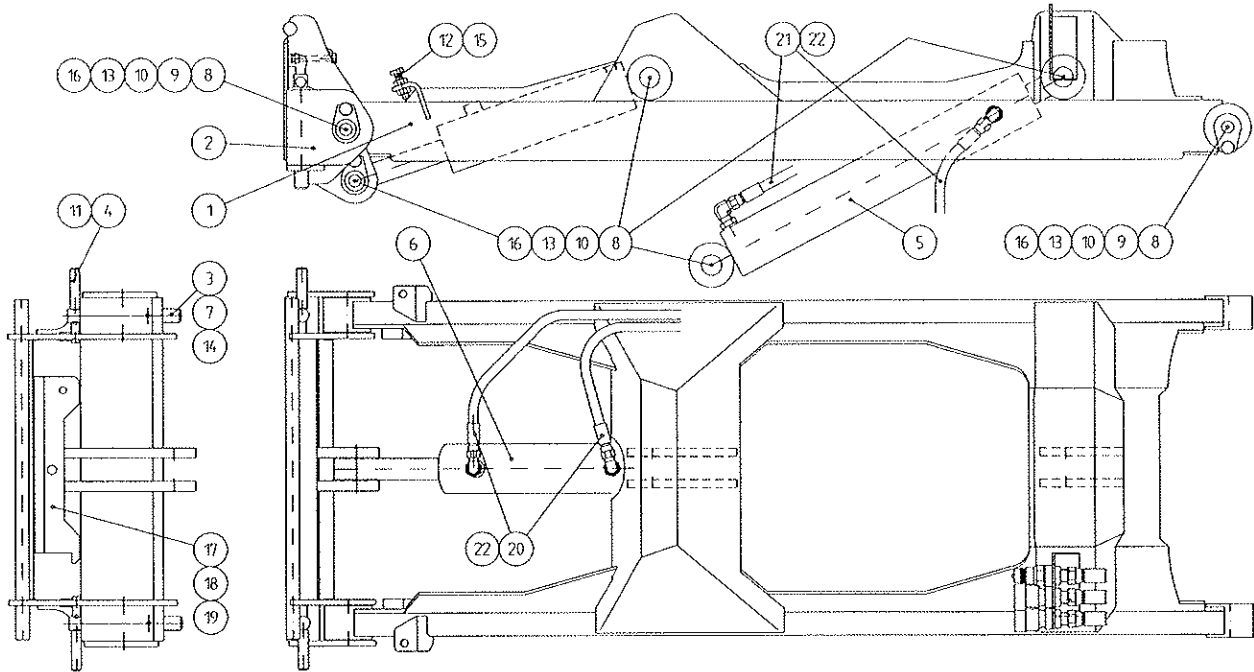
ENGINE ASSEMBLY AVANT 314 A2765



ENGINE, ASSEMBLY Z482 AVANT 314 A2765

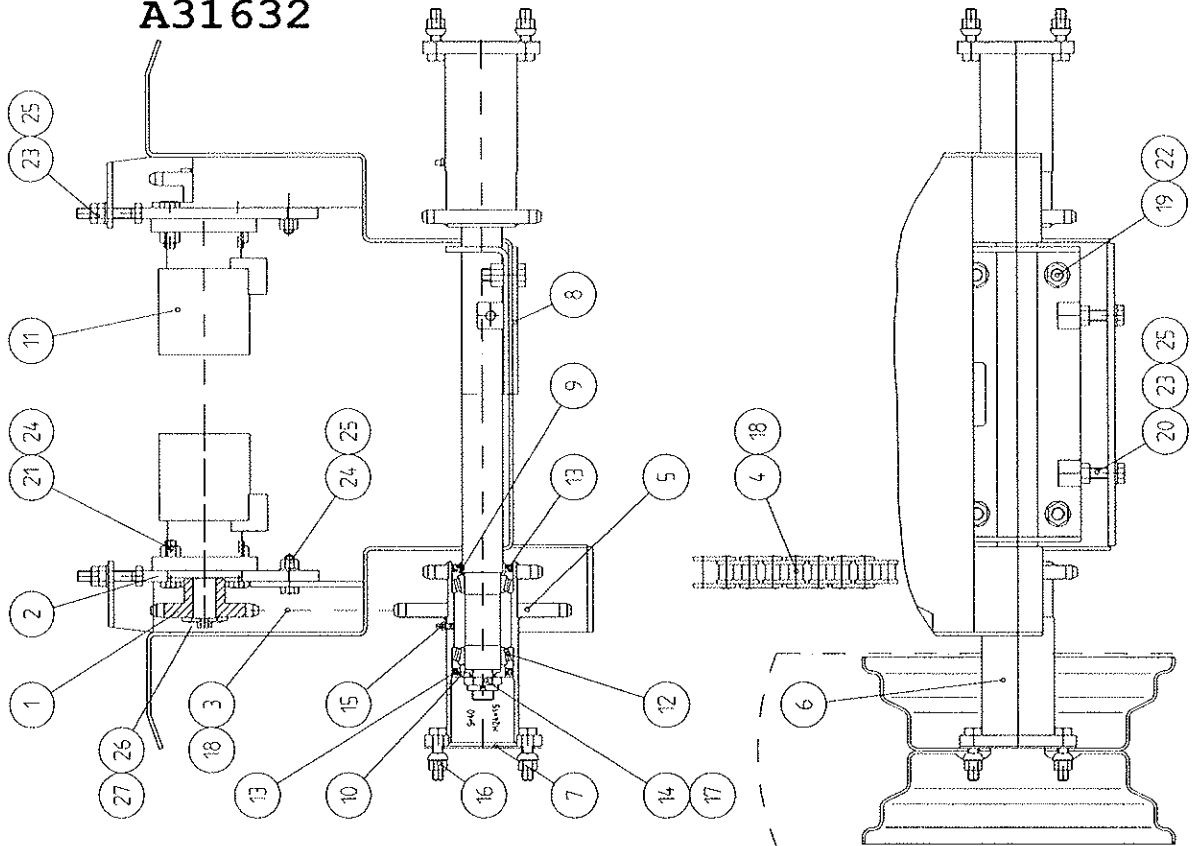
1	64183	1	DIESEL ENGINE KUBOTA Z482 14 HP (12V 40A)
2	64374	1	FLYWHEEL HOUSING KUBOTA RECT.F80 72*100
3	64376	1	COUPLING BOWEX 48FLE-PA-F150 ENGINE SIDE
4	64378	1	COUPLING 48FLE 1:5 F17 TAPER, PUMP SIDE
5	64410	1	HYDRAULIC PUMP SIGMA 6.2 / 6.2
6	A43529	1	ENGINE CRADLE, ASSY, Z482
7	A43522	1	ENGINE LIFTING FIXTURE, REAR
8	A43523	1	ENGINE LIFTING FIXTURE, FRONT
9	A43525	1	SUPPORT, EXHAUST PIPE Z482/D722
10	A42156	1	EAR, THROTTLE WIRE
11	A43527	1	RETRACTING SPRING, FOOT THROTTLE, L=45
12	A43030	1	INLET HOSE \varnothing C20 L=800
13	A43032	1	FUEL HOSE, RETURN, L=400
14	A43031	1	FUEL HOSE, INLET, L=400
15	63656	3	VIBRATION DAMPER 17-1600-1MN55
16	64044	2	ELBOW FITTING 90° C40XS10-3/8
17	73747	2	PRESSURE FLANGE 1GQ38 (R3/8" AL)
18	64110	1	HOSE COUPLING R1/2"UK - 19 MM L=44
19	64172	1	REDUCER FITTING RI 3/4"-EDx 1/2"
20	73042	3	HEXAGONAL SCREW M12*35 DIN 933 ZN
21	72165	6	HEXAGONAL SCREW M12*20 DIN 933 ZN
22	73936	8	HEXAGONAL SCREW M10*1,25 - 25
23	72150	6	HEXAGONAL SCREW M10*25 DIN 933 ZN
24	72132	3	HEXAGONAL SCREW M8*25 DIN 933 ZN
25	72130	17	HEXAGONAL SCREW M8*20 DIN 933 ZN
26	73100	10	HEXAGONAL HEAD SCREW M8*30 DIN 912
27	72322	6	HEXAGONAL NUT M10 DIN 985 NYLOC
28	72320	14	HEXAGONAL NUT M8 DIN 985 NYLOC
29	73613	9	WASHER M12 A12 DIN 127 ZN
30	73612	8	WASHER M10 A10 DIN 127 ZN
31	73018	6	WASHER M10 R11 DIN 440 ZN
32	71683	6	WASHER M8 A8,4 DIN 6798 ZN
33	73962	11	WASHER M8 A8 DIN 127 ZN
34	71685	2	WASHER M8 R9 DIN 440 ZN
35	74415	1	SCREW NIPPLE 128.244 S&N
36	73530	2	HOSE CLAMP, 22-32 MM ZN
37	74405	4	HOSE CLAMP, MINABA-13
38	A43679	1	AIR FILTER HOLDER Z482
39	A43210	2	EAR, UPPER, RADIATOR, STD.

LOADER BOOM STD. A31832



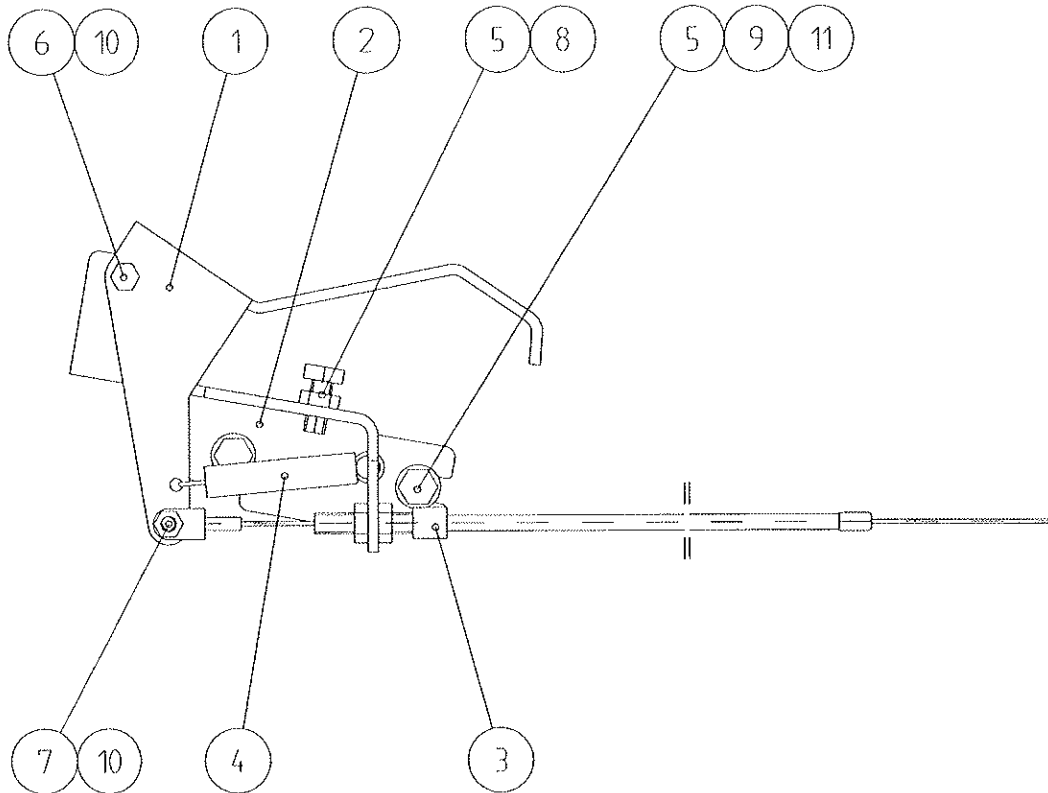
1	A31636	1	LOADER BOOM, ASSEMBLY
2	A31831	1	ATTACHMENT COUPLING PLATE
3	A43935	2	LOCKING PIN F20
4	A43936	2	LATCH PIN
5	A43673	1	HYDR. CYLINDER F63/F32*360 LMIN=590
6	A43672	1	HYDR. CYLINDER F63/F32*150 LMIN=380
7	64061	2	COMPRESSION SPRING SS2387 2,5*25*118
8	A43565	8	PIVOT PIN
9	64048	4	SLIDE BEARING GSM-3034-40
10	72798	8	GREASE NIPPLE R 1/8" STRAIGHT
11	73661	2	SPRING COTTER 5* 30 DIN 1481
12	73488	2	HEXAGONAL SCREW M10* 60 DIN 933 ZN
13	72147	8	HEXAGONAL SCREW M10* 16 DIN 933 ZN
14	71880	2	HEXAGONAL HEAD SCREW M 6* 25 DIN 912
15	72321	4	HEXAGONAL NUT M10 DIN 934 ZN
16	74531	8	WASHER, PAIR, M10 NL10 NORDLOCK
17	A43948	1	SERVICE SUPPORT, BOOM CYLINDER
18	74520	1	HEXAGONAL SCREW M 8* 70 DIN 933 ZN
19	72319	1	HEXAGONAL NUT M 8 DIN 934 ZN
20	A42909	2	HYDRAULIC HOSE L=2100 R1AT-04
21	A42908	2	HYDRAULIC HOSE L=980 R1AT-04
22	64044	4	ELBOW FITTING 90° C40XS10-3/8

TRANSMISSION, DRIVE, ASSY AVANT 314 A31632



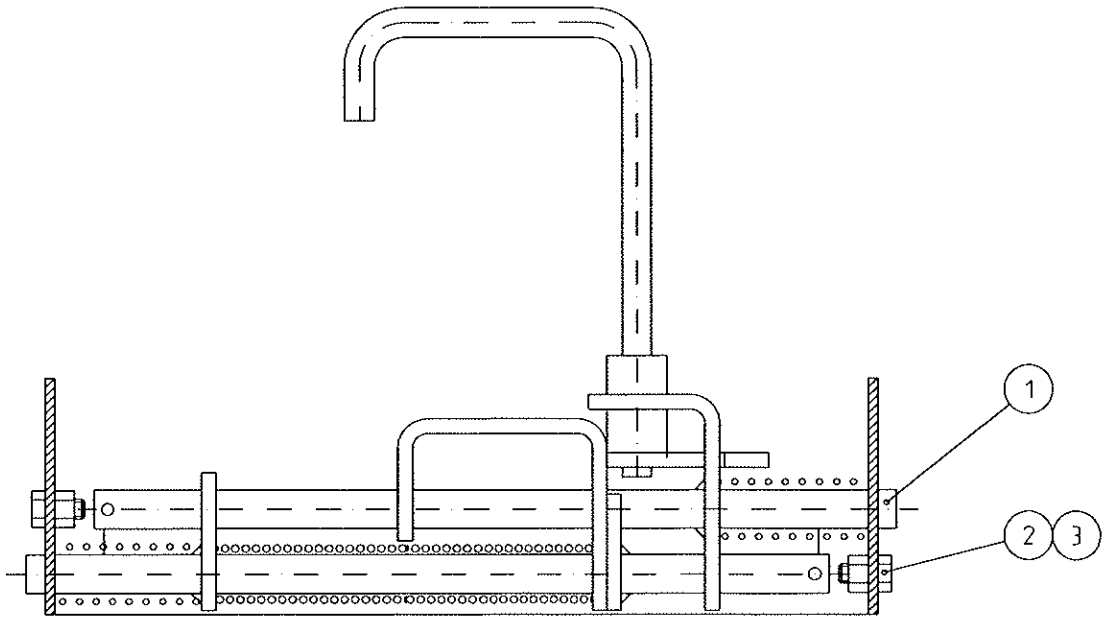
1	A41631	2	CHAIN WHEEL, PRIMARY, Z=11
2	A43681	2	CARRIER, AR160, AVANT 314, ASSY
3	A43547	2	CHAIN, TRANSMISSION, PRIMARY 16B1 - 1041
4	A4434	2	CHAIN, TRANSMISSION, SECOND. 16B1 -1854,2
5	A43302	2	WHEEL HUB, BACK, ASSY
6	A43301	2	WHEEL HUB, FRONT, ASSY
7	A43146	4	SPACER, BETWEEN HUB AND RIM
8	A41608	1	COUNTERPLATE FE52C 6*195*324
9	A43155	4	SLIDE RING
10	A43156	4	SUPPORT RING
11	64094	2	HYDRAULIC MOTOR SAM AR160 NC 32
12	64391	8	CONICAL ROLLER BEARING 32008X
13	64390	8	GASKET BA50-68-8 72NBR902
14	74541	4	HEXAGONAL NUT M24*1,5 DIN 985 NYLOC
15	72799	4	GREASE NIPPLE M6 STRAIGHT
16	73743	16	WHEEL NUT M12*1,5 DIN 7431-A12-8
18	73606	4	CHAIN CONNECTING LINK 16B-1 1" STRAIGHT
19	72184	4	HEXAGONAL SCREW M14*40 DIN 933 ZN
20	73389	2	HEXAGONAL SCREW M12*60 DIN 933 ZN
21	72171	4	HEXAGONAL SCREW M12*45 DIN 931
22	72327	4	HEXAGONAL NUT M14 DIN 985 NYLOC
23	72323	6	HEXAGONAL NUT M12 DIN 934
24	72324	10	HEXAGONAL NUT M12 DIN 985 NYLOC
25	73356	10	WASHER M12 14 DIN 126 ZN
26	A41675	2	WASHER F45*7
27	73039	2	HEXAGONAL SCREW M8*16 DIN 933 ZN

FOOT THROTTLE, ASSEMBLY A42530



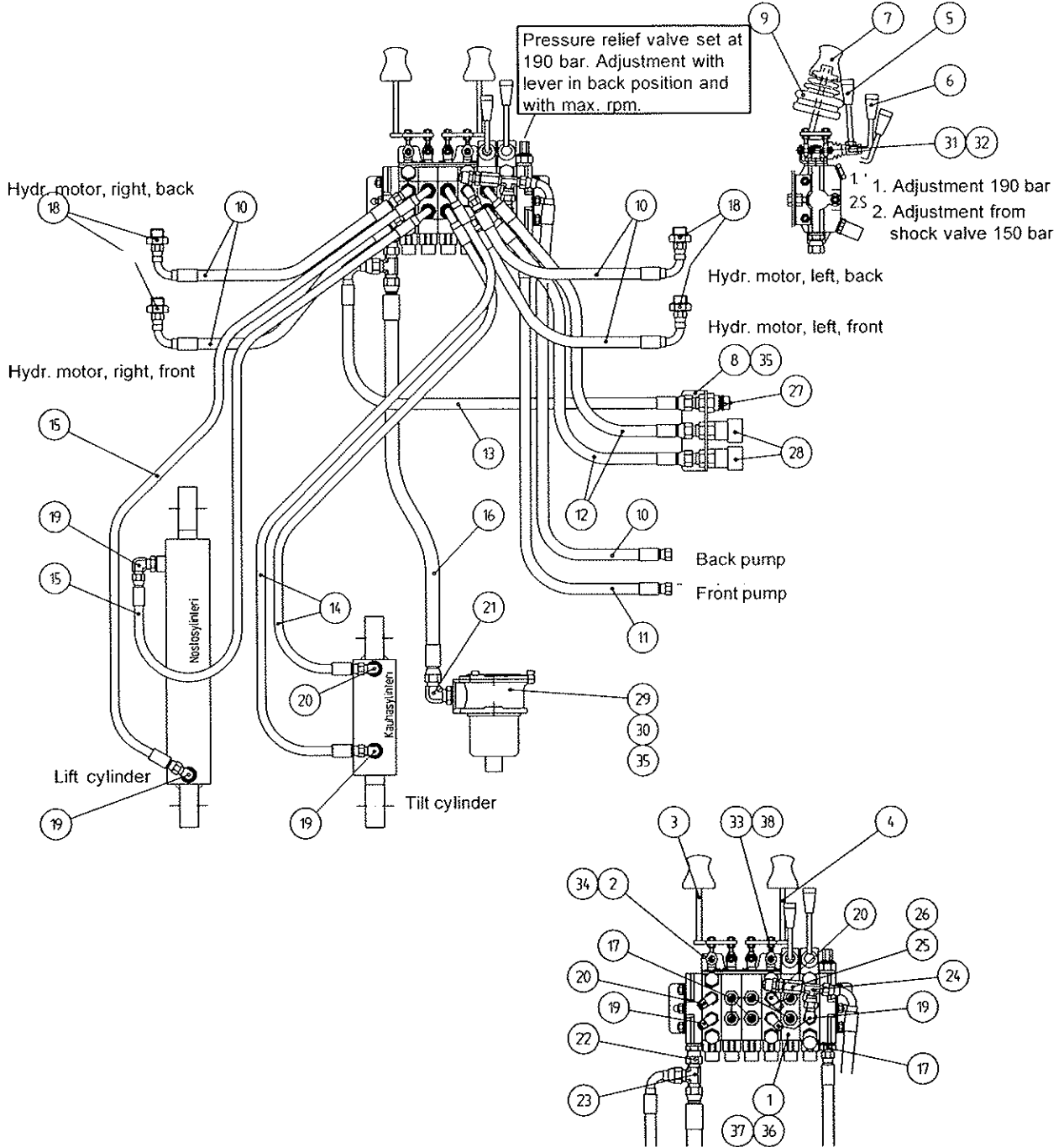
1	A42528	1	THROTTLE PEDAL
2	A42529	1	THROTTLE PEDAL FRAME, ASSEMBLY
3	A42531	1	THROTTLE WIRE L=100/1450 1,5 MM
4	64257	1	SPRING SF-DF 1,2*12*60 (N=33) F0=7N
5	72130	3	HEXAGONAL SCREW M8*20 DIN 933 ZN
6	72127	1	HEXAGONAL SCREW M6*90 DIN 931
7	72118	1	HEXAGONAL SCREW M6*20 DIN 933
8	72319	1	HEXAGONAL NUT M8 DIN 934
9	72320	2	HEXAGONAL NUT M8 DIN 985 NYLOC
10	72318	2	HEXAGONAL NUT M6 DIN 985 NYLOC
11	73355	2	WASHER M6 6,6 DIN 126 ZN

PARKING BRAKE A31116



1	A3948	1	PARKING BRAKE ASSEMBLY
2	73039	2	HEXAGONAL SCREW M8*16 DIN 933 ZN
3	72320	2	HEXAGONAL NUT M8 DIN 985 NYLOC

HYDRAULIC SYSTEM, ASSEMBLY AVANT 313 & 314 2-PUMP A2762



HYDRAULIC SYSTEM, ASSEMBLY AVANT 313 & 314 2-PUMP

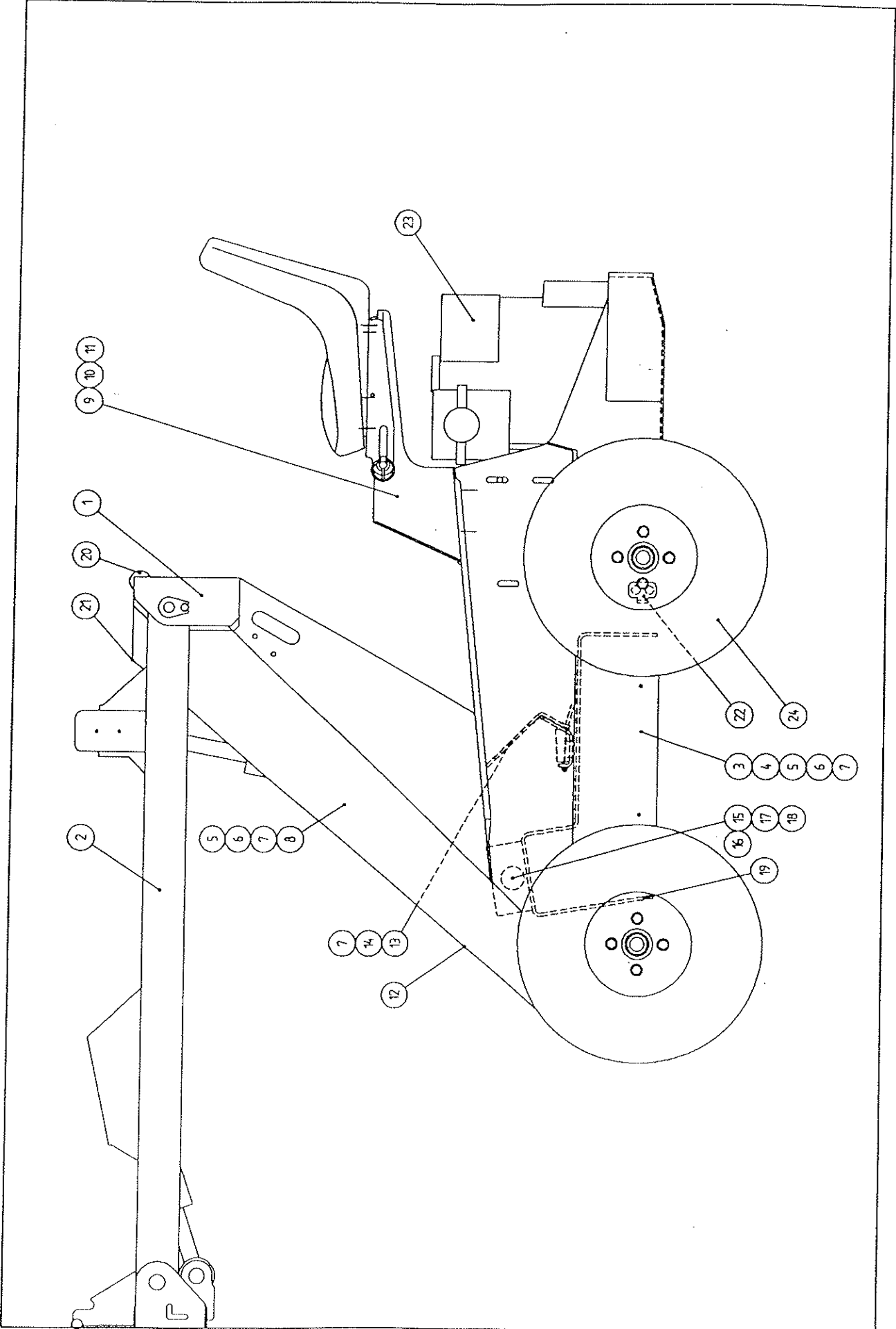
A2762

1	64478	1	DIRECTIONAL VALVE HDS10/6 2PUMP
2	A3951	1	CONTROL LEVER FRAME
3	A3953	1	CONTROL LEVER, RIGHT
4	A3952	1	CONTROL LEVER, LEFT
5	64105	1	CONTROL LEVER L=155 HDS10 VALVE
6	A41668	1	DIRECTIONAL VALVE+CONTROL LEVER BENDING
7	A43484	2	KNOB
8	A41666	1	QUICK COUPLER SUPPORT FOR 3 COUPLERS
9	74327	2	RUBBER COVER F12/F56-40 32053
10	A41645	5	HYDRAULIC HOSE L=1500 2LW-06 3/8"
11	A41653	1	HYDRAULIC HOSE L=1430 2LW-06 3/8"
12	A41654	2	YDRAULIC HOSE L=1800 2LW-06 3/8"
13	A41953	1	HYDRAULIC HOSE L=1950 2LW-06 3/8"
14	A41657	2	HYDRAULIC HOSE L=3100 1LW-04 1/4"
15	A41656	2	HYDRAULIC HOSE L=720 1LW-04 1/4"
16	A41655	1	HYDRAULIC HOSE L=600 1LW-08 1/2"
17	64041	7	BASIC FITTING F40XS10-3/8
18	64040	4	BASIC FITTING F40XS10-1/2
19	64044	6	ELBOW FITTING 90 DEGR. C40XS10-3/8
20	64111	3	ELBOW FITTING 90 DEGR.. COA-10-3/8"
21	64045	1	ELBOW FITTING 90 DEGR. C40XS12-1/2
22	64082	1	CONNECTOR NIPPLE F64XS12-3/8
23	64200	1	T FITTING JTXS12
24	64070	1	THREADED T FITTING BODY S6XS10
25	64195	1	TEST FITTING TT4XS10-1/4"
26	64196	1	MANOMETER FITTING M16*2 <=> R1/4"OUT.THR
27	64189	1	QUICK COUPLER, MALE 1/2" 4V14-T5X4 (JIC)
28	64190	2	QUICK COUPLER, FEMALE 1/2"2V54-T5X4 JIC
29	73750	1	HYDRAULIC OIL FILTER, COMPL. OMTF65-20
30	74093	1	FILTER CARTRIDGE F5-6/P20 (CR65-20)
31	A41821	4	CONTROL LEVER PIN
32	A41822	8	LEVER NUT M6
33	63690	6	JOINT ARM ASAHI JAM 6
34	74472	4	HEXAGONAL HEAD SCREW M5*16 DIN 912
35	71884	4	HEXAGONAL HEAD SCREW M8*25 DIN 912
36	72150	2	HEXAGONAL SCREW M10*25 DIN 933
37	72322	2	HEXAGONAL NUT M10 DIN 985 ZN
38	72317	6	HEXAGONAL NUT M6 DIN 934

Avant ProfiTec

Spare parts list

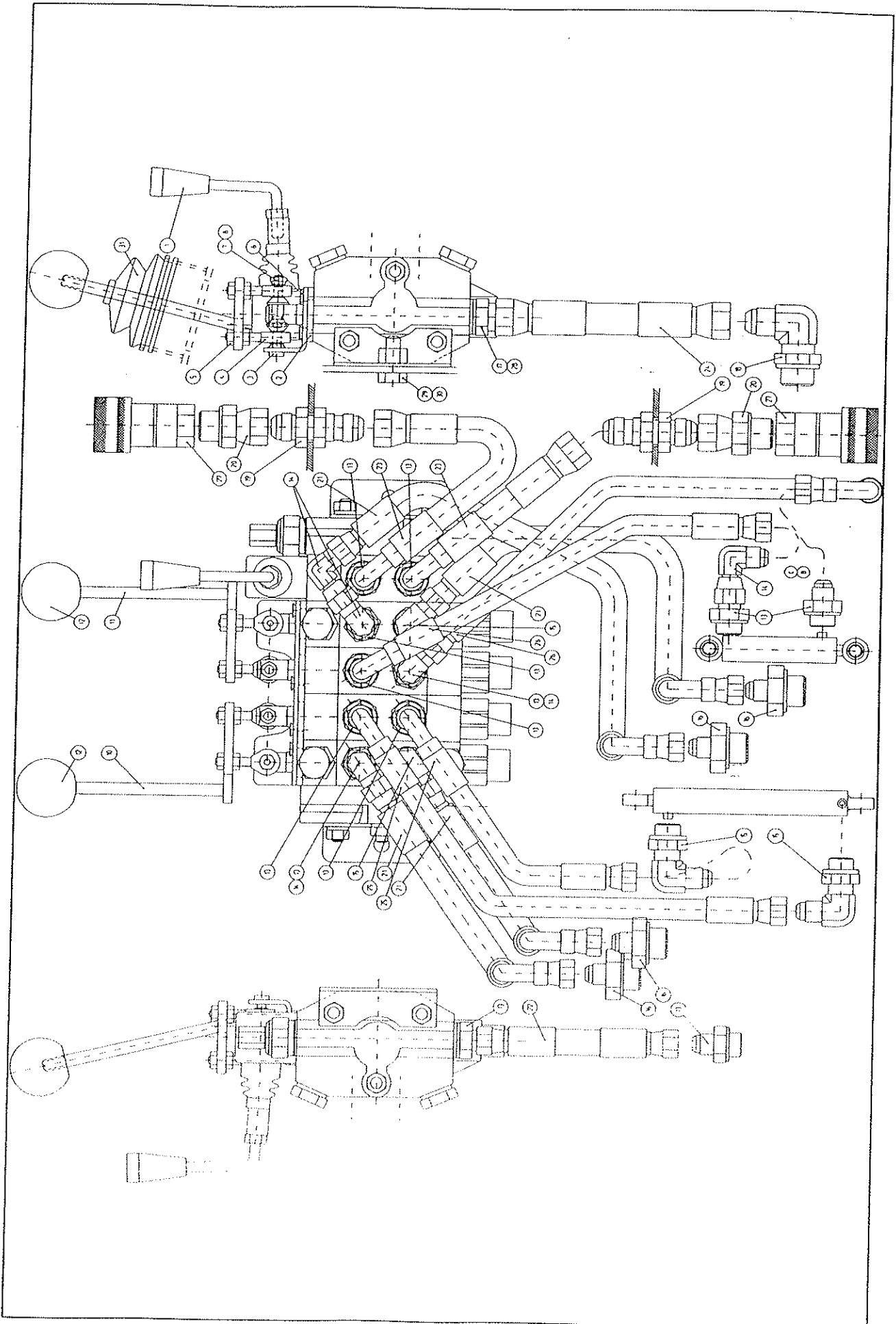
Avant ProfiCat



Avant ProfiCat

1	A1167	1	FRAME, WELD.ASSY	PROFICAT
3	A2384	1	CHAIN COVER LH	
4	A2386	1	CHAIN COVER RIGHT	
5	73039	10	HEXAGONAL SCREW M 8*16	DIN 933 ZN
6	73354	10	WASHER M 8	DIN 126 ZN
7	72320	8	NUT M8 NYLOC	DIN 985
8	A2383	1	COVER SHEET CR20	2*936*1258
9	A1211	1	FLOOR ELEMENT+SEAT	ASSEMBLY
10	72324	4	NUT M 12 NYLOC	DIN 985
11	73356	4	WASHER M12	DIN126 ZN
12	A41837	1	FINISHING STRIP	L=850
13	A31118	1	GAS PEDAL & CABLE	WIRE
14	72130	2	HEX.HD.SCREW M8*20	
15	73750	1	HYDR. OIL FILTER	MPF5/20
16	71884	2	HEXAGONAL SCREW M 8*25	DIN 912
17	A3958	1	DIPSTICK - BREATHER	
19	74411	1	HEXAGONAL PLUG	HF 3/8"
20	A1168	1	CONTROL VALVE	PROFICAT
21	A41677	2	FINISHING STRIP	L=220
22	A31116	1	PARKING BRAKE &	MOUNTING PARTS
23	A2482	1	ENGINE HONDA	11 HP

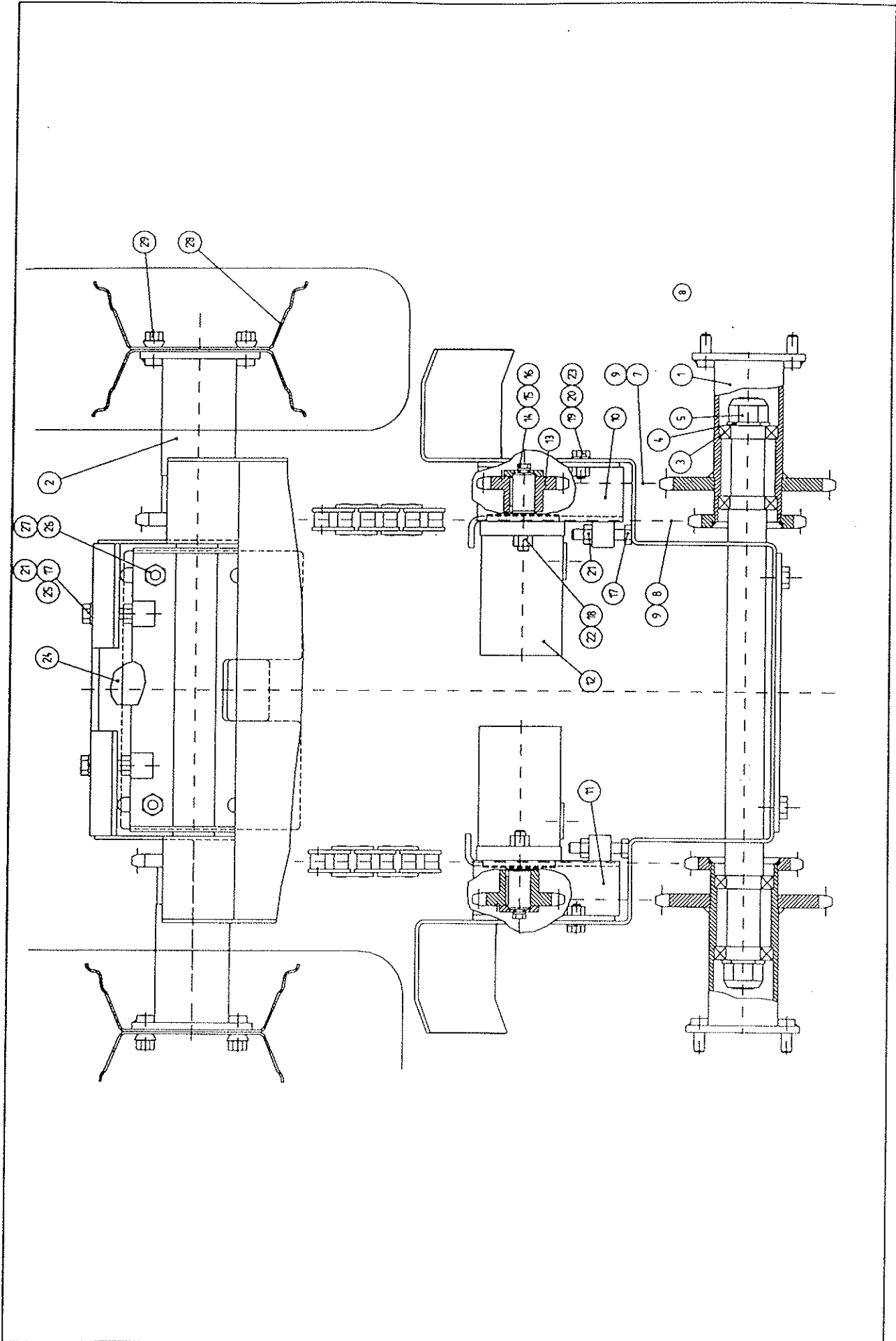
Avant ProfiCat



Avant ProfiCat

1	A41668	1	CONTROL VALVE + CONTROL LEVER
2	A41637	1	SUPPORT PLATE
3	A3951	1	LEVERAGE FRAME
4	63690	6	JOINT ARM ASAHI JAM 6
5	72317	12	NUT M6 DIN 924
7	A41821	4	LEVERAGE PIN
8	A41822	8	LEVERAGE NUT M 6
10	A3953	1	CONTROL LEVER, RH
11	A3952	1	CONTROL LEVER, RH
12	72624	2	BALL KNOB C 40 M 8
13	64041	12	BASIC FITTING F40XS10-3/8
14	64043	5	ELBOW FITTING 90 DEGR. C6XS10
15	64044	4	ELBOW FITTING 90 DEGR. C40XS10-3/8
16	64040	4	BASIC FITTING F40XS10-1/2
17	64042	1	BASIC FITTING F40XS12-3/8
18	64045	1	ELBOW FITTING 90 DEGR. C40XS12-1/2
19	64046	2	LEAD-THROUGH FITTING WTX-XLNS12
20	64047	2	CONNECTING NIPPLE 6030-08-08
21	A41645	4	HYDRAULIC HOSE L=1400
22	A41653	1	HYDRAULIC HOSE L=1430
23	A41654	2	HYDRAULIC HOSE L=1800
24	A41655	1	HYRAULIC HOSE L=600
25	A41656	2	HYDRAULIC HOSE L=720
26	A41657	2	HYDRAULIC HOSE L=3100
27	73457	2	QUICK COUPLER 1/2" (FEMALE)
28	A3965	1	FLOW CONNECTION SERIES
29	72150	2	HEX.HD.SCREW M10*25 DIN 933 ZN
30	72322	2	NUT M 10 NYLOC DIN 985
31	74327	2	COVERING RUBBER F12/56*40
32	73424	6	CABLE TIE 375 MM PLT 4S-M

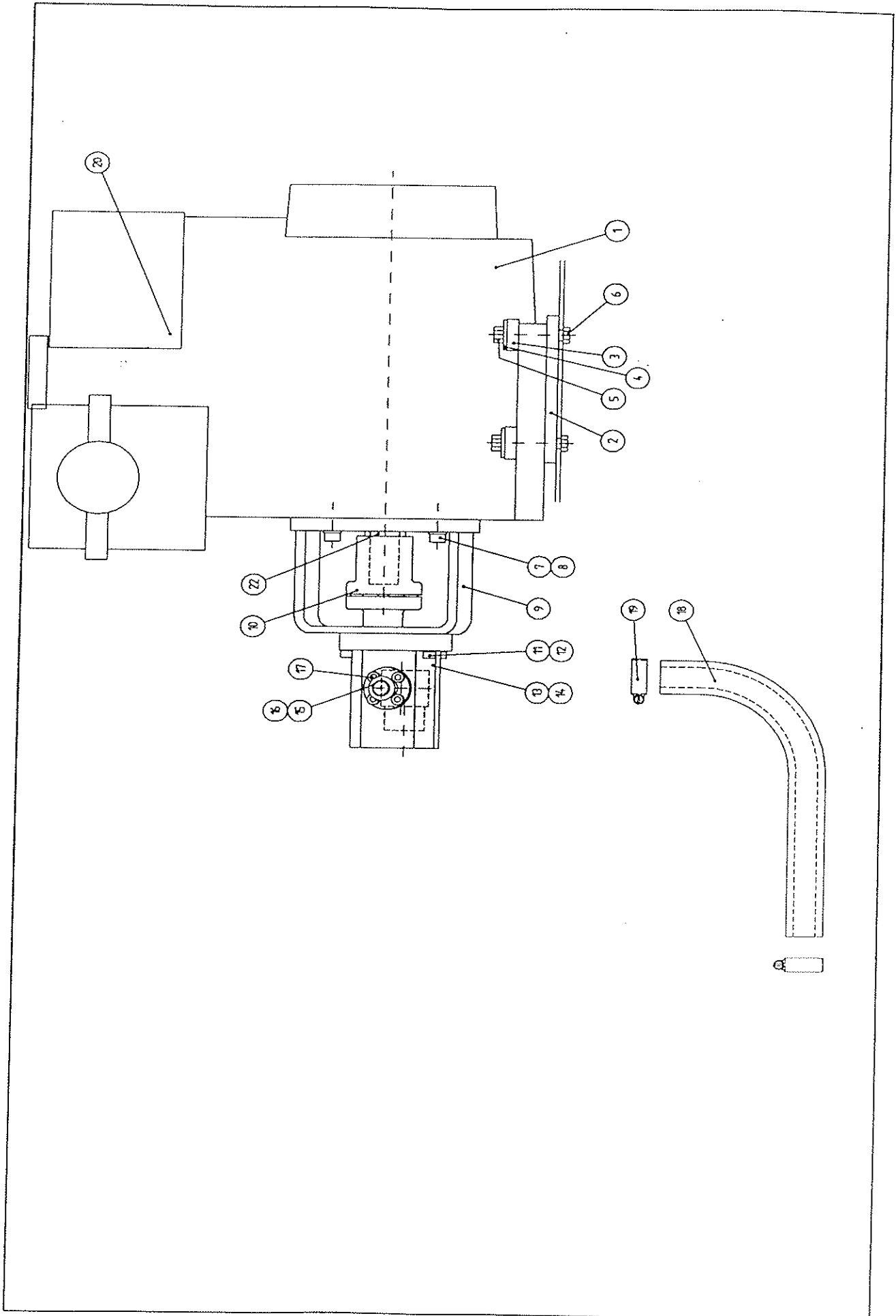
Avant ProfiCat



Avant ProfiCat

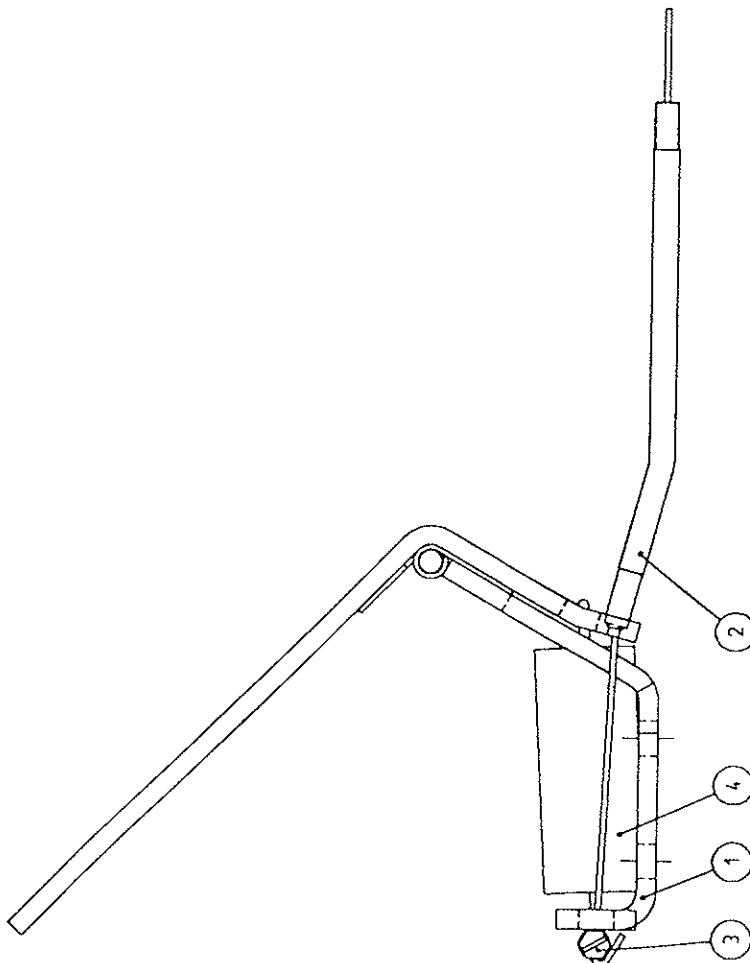
1	A31012	2	WHEEL HUB, BACK 18*7,50-8
2	A31011	2	WHEEL HUB, FRONT 18*7,50-8
3	64038	8	BEARING 6008 2RS
4	71705	4	WASHER M 27 DIN 125
5	74421	4	HEXAGONAL NUT M27*2 DIN 985
7	A41663	2	PULLING CHAIN 16M-1
8	A4434	2	PULLING CHAIN 16B1
9	73606	4	CONNECTION LINK
10	A41627	1	WEDGE RH
11	A41630	1	WEDGE LH
12	64094	2	HYDR.MOTOR SAM AR160 NC 25
13	A42150	2	CHAIN WHEEL
14	A41675	2	WASHER F45*7
15	73962	2	SPACER M 8 DIN 127
16	73039	2	HEXAGONAL SCREW M 8*16 DIN 933 ZN
17	73389	4	HEX.HD.SCREW M12*60 DIN 933
18	73058	4	HEXAGONAL SCREW M 12*40 DIN 933 ZN
19	72150	6	HEX.HD.SCREW M10*25 DIN 933 ZN
20	73121	6	WASHER M 10 DIN 125 ZN
21	72323	4	NUT M12 DIN 934
22	72324	4	NUT M 12 NYLOC DIN 985
23	72322	6	NUT M 10 NYLOC DIN 985
24	A41608	1	COUNTER SHEET FE52C 6*295*324
25	73356	2	WASHER M12 DIN126 ZN
26	72184	4	HEX.HD.SCREW M14*40 DIN 933
27	72327	4	NUT M 14 NYLOC DIN 985
28	63503	4	WHEEL 18*7,5-8 AVANT CAT
29	73743	16	WHEEL NUT M12*1,5
30	A31033	1	FLOW CONNECTION SERIE FOR HYDR.MOTOR

Avant ProfiCat



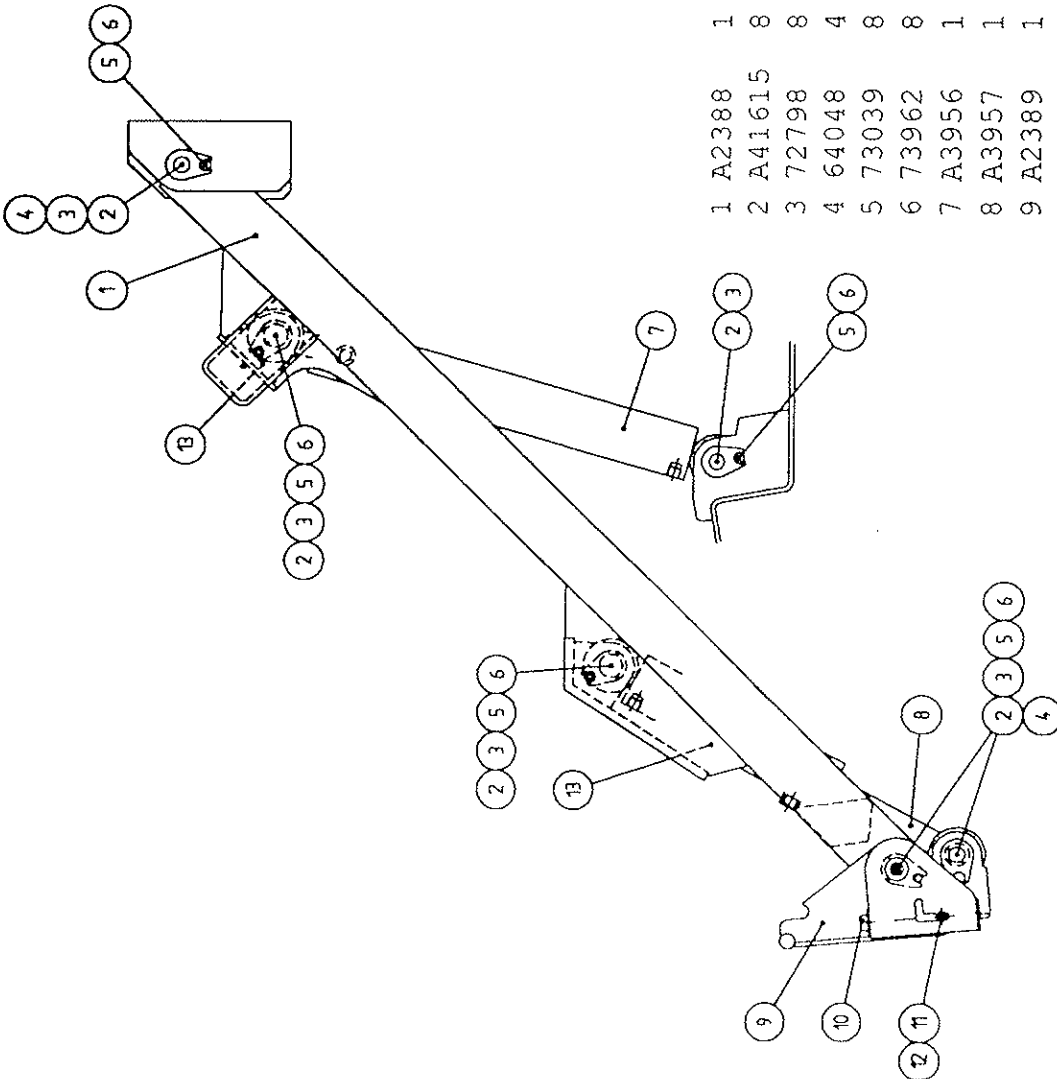
Avant ProfiCat

1	63512	1	COMBUSTION ENGINE HONDA GX 340
2	A4431	1	VIBRATION DAMPER (RUBBER)
3	A41842	4	RUBBER WASHER F30, S=10, 60 SHA
4	71685	4	WASHER M 8 DIN 440 ZN
5	72320	4	NUT M8 NYLOC DIN 985
6	72139	4	HEXAGONAL SCREW M 8*60 DIN 931
7	71884	4	HEXAGONAL SCREW M 8*25 DIN 912
8	73962	4	SPACER M 8 DIN 127
9	A31094	1	PUMP SUPPORT, HONDA 11HP/20HP
10	A4419	1	INTERMEDIATE SWITCH
11	71880	4	HEXAGONAL SCREW M 6*25 DIN 912
12	71682	4	WASHER M6 DIN 6798
13	64057	1	HYDRAULIC PUMP HI AP100/8-D-218
14	73747	1	PRESSURE FLANGE 1 GQ 38 (R3/8" AL)
15	A4428	1	INLET FLANGE FE52C F40-36
16	73744	1	O-RING NBR F 15,1*1,6
17	73766	4	HEXAGONAL SCREW M6*16 DIN 912
18	A41667	1	INLET HOSE 3/4" - 330
19	73530	2	HOSE CLAMP 22-32 MM
20	64054	1	DRAW-SPRING SF-DF 1,2*10*30
22	A42106	1	SPACER



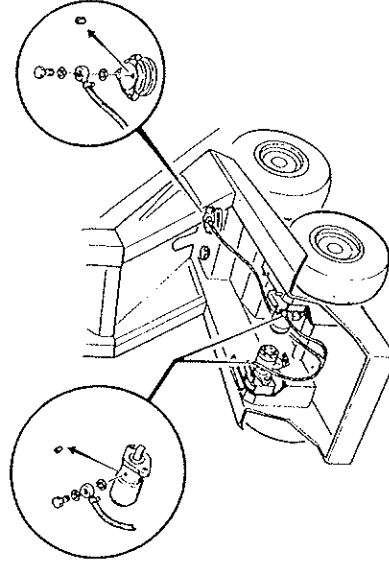
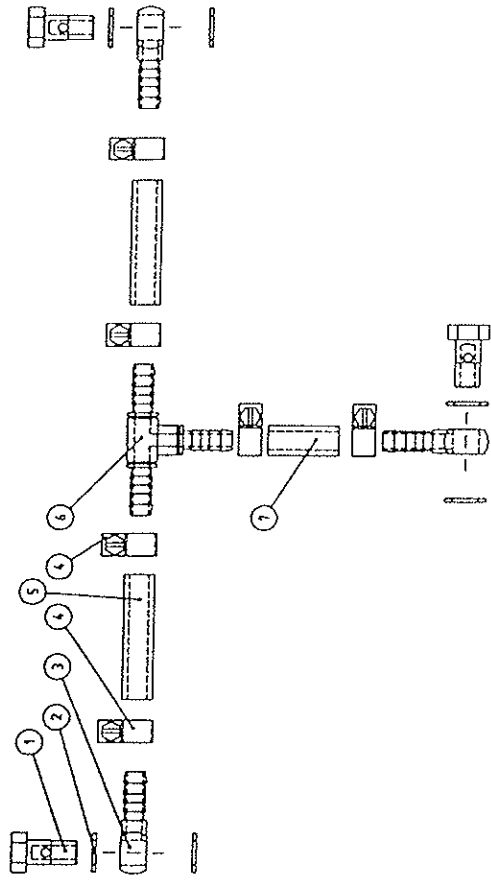
1	A3962	1	GAS PEDAL
2	A42149	1	GAS WIRE, ASSEMBLY
3	73984	1	SCREW NIPPLE 128.241 S&N
4	64026	1	DRAW-SPRING SF-DF 2,5*25*80

Avant ProfiCat

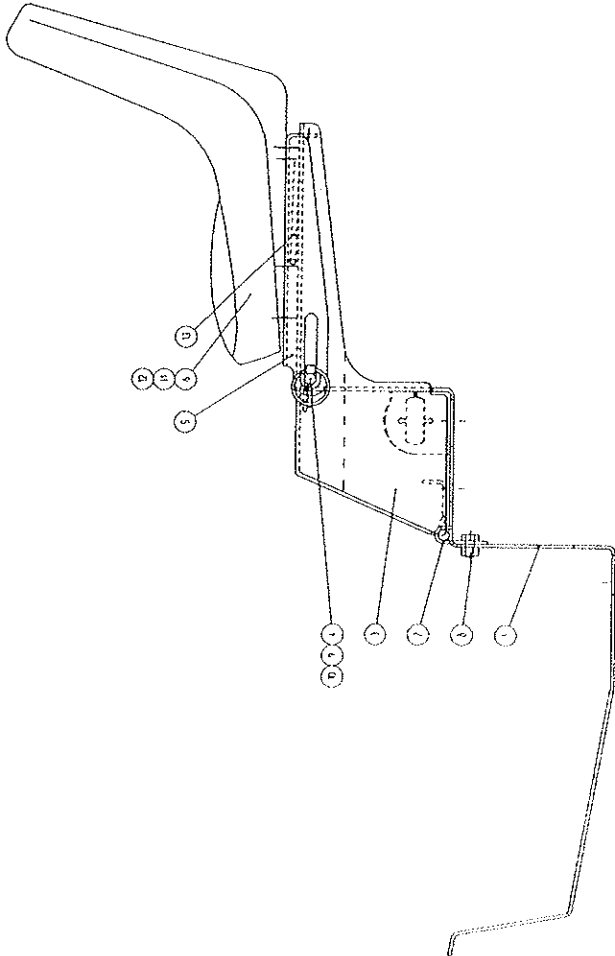


Part No.	Description	Quantity	Material / Specification
1	BOOM, WELD.ASSY	1	A2388
2	JOINT PIN	8	A41615
3	NIPPLE R 1/8"	8	72798
4	BEARING SLEEVE	4	64048
5	HEXAGONAL SCREW M 8*16	8	73039
6	SPACER M 8 DIN 127	8	73962
7	HYDR. CYLINDER	1	A3956
8	HYDR. CYLINDER	1	A3957
9	QUICK COUPLING PART	1	A2389
10	QUICK COUPLING PIN F 20	2	A41820
11	HEXAGONAL SCREW M 8*80	2	74413
12	PRESSURE SPRING	2	64061
13	PIPE CLAMP RSB	2	73760

Avant ProfiCat



- | | | | |
|---|--------|---|------------------------|
| 1 | 73947 | 3 | BANJO CONNECTOR R 1/8" |
| 2 | 73939 | 6 | WASHER |
| 3 | 73940 | 3 | BANJO CONNECTOR |
| 4 | 74405 | 6 | HOSE CLAMP (13-10 MM) |
| 5 | A41892 | 2 | LEAKAGE HOSE L=250 |
| 6 | 74424 | 1 | T-CONNECTOR T-06 |
| 7 | A41893 | 1 | LEAKAGE HOSE L=750 |

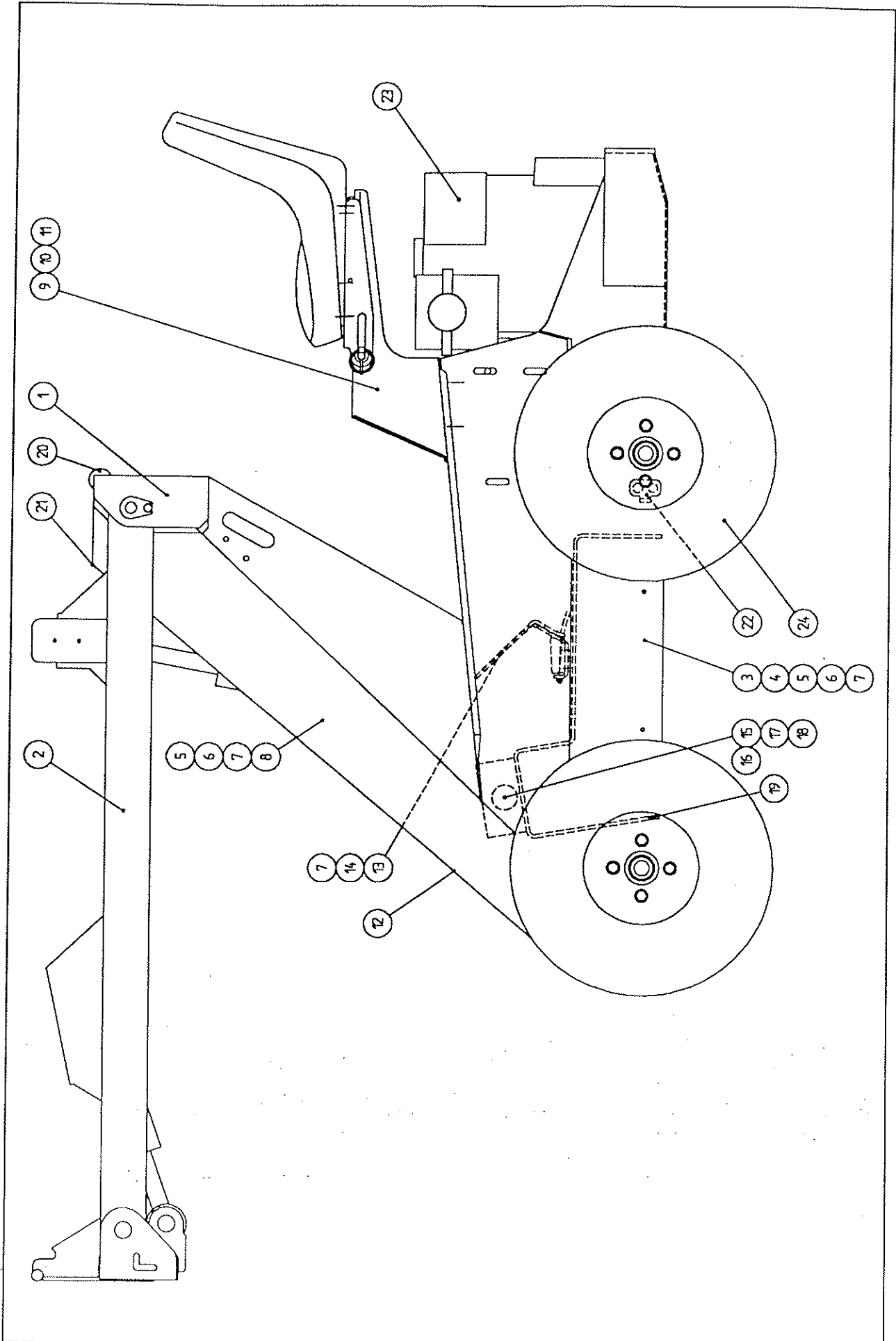


- | | | | |
|----|--------|---|-------------------------------|
| 1 | A2447 | 1 | FLOOR, WELD.ASSEMBLY |
| 2 | A41952 | 2 | PIVOT LINK |
| 3 | A2445 | 1 | SEAT FRAME |
| 4 | A41867 | 1 | SEAT PIN |
| 5 | A31013 | 1 | SEAT BASE |
| 6 | 73734 | 1 | SEAT PAN AVANT CAT |
| 8 | 72322 | 2 | NUT M 10 NYLOC DIN 985 |
| 9 | 73356 | 1 | WASHER M12 DIN126 ZN |
| 10 | 71725 | 1 | SIRCLE PIN 4,5 MM |
| 11 | 74422 | 4 | HEXAGONAL SCREW UNC 3/8"*5/8" |
| 12 | 74423 | 4 | WASHER M10 DIN 126 |
| 13 | A31014 | 1 | SEAT STOPPER BAND |

Avant ProfiTec Double Speed

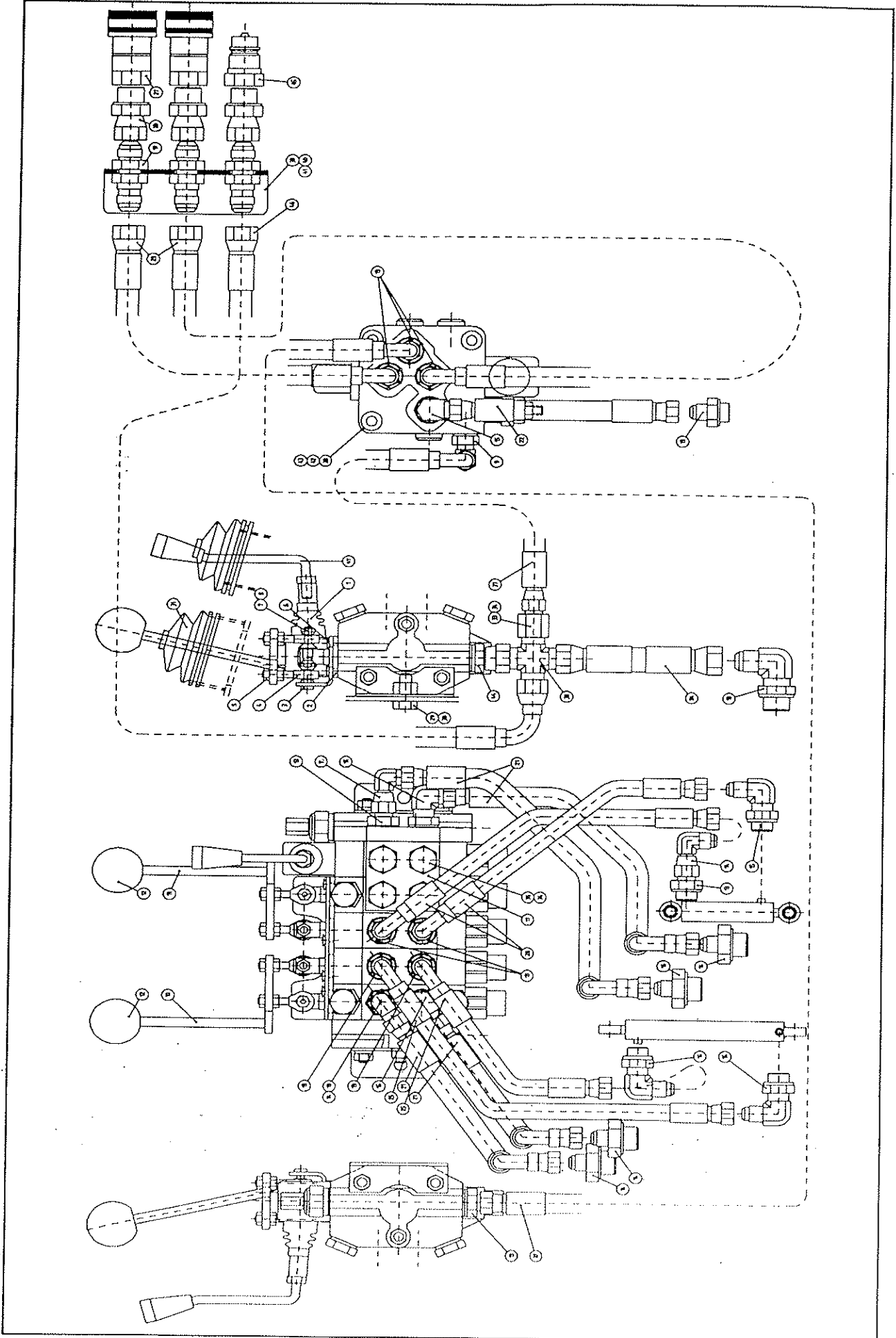
Spare parts list

Avant ProfiCat Double Speed



3	A2384	1	CHAIN COVER LH
4	A2386	1	CHAIN COVER RIGHT
5	73039	10	HEXAGONAL SCREW M 8*16 DIN 933 ZN
6	73354	10	WASHER M 8 DIN 126 ZN
7	72320	8	NUT M8 NYLOC DIN 985
9	A1211	1	FLOOR ELEMENT+SEAT ASSEMBLY
10	72324	4	NUT M 12 NYLOC DIN 985
11	73356	4	WASHER M12 DIN126 ZN
12	A41837	1	FINISHING STRIP L=850
13	A31118	1	GAS PEDAL & CABLE WIRE
14	72130	2	HEX.HD.SCREW M8*20
15	73750	1	HYDR. OIL FILTER MPF5/20
16	71884	2	HEXAGONAL SCREW M 8*25 DIN 912
17	A3958	1	DIPSTICK - BREATHER
19	74411	1	HEXAGONAL PLUG HF 3/8"
21	A41677	2	FINISHING STRIP L=220
22	A31116	1	PARKING BRAKE & MOUNTING PARTS
23	A2482	1	ENGINE HONDA 11 HP

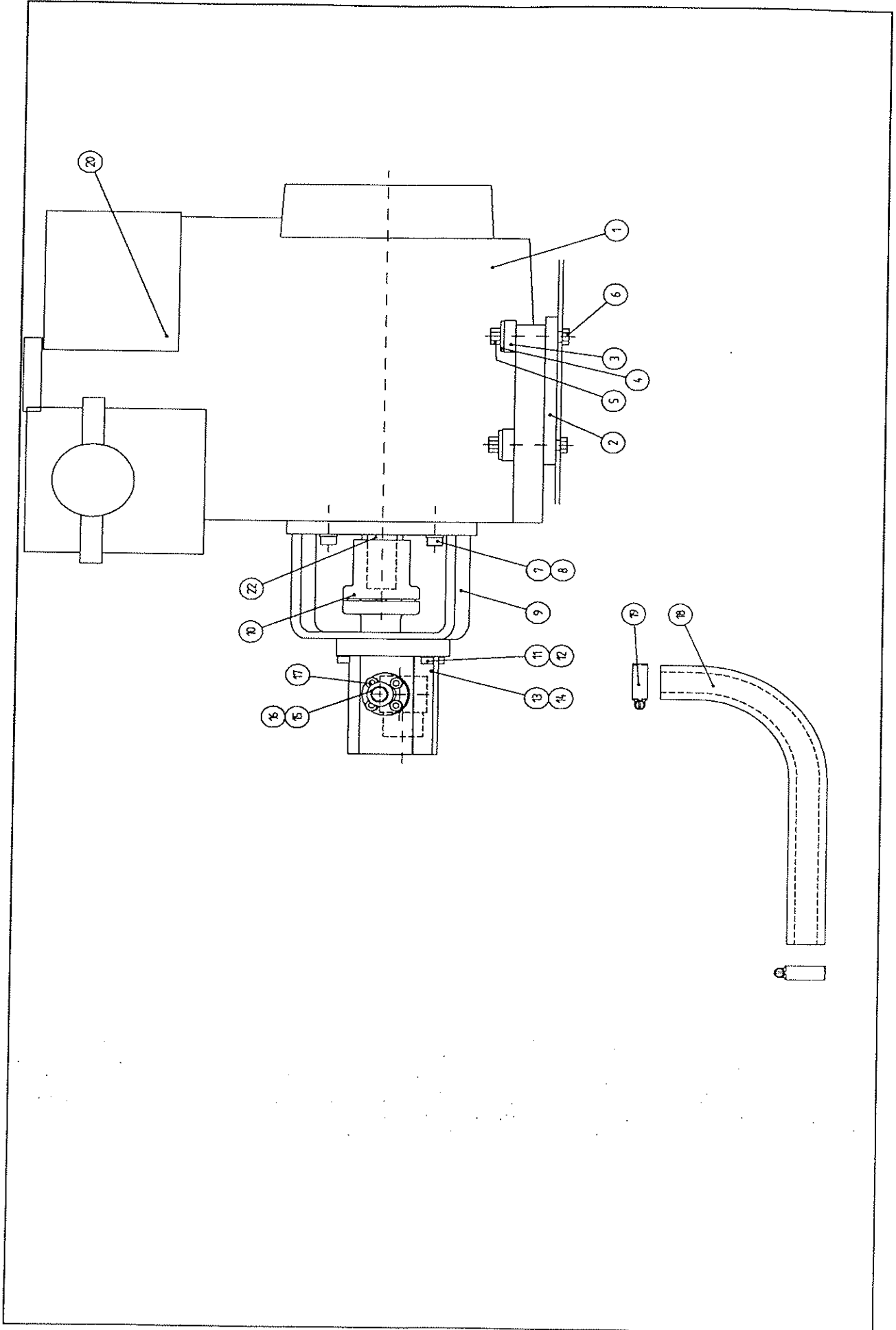
Avant ProfiCat Double Speed



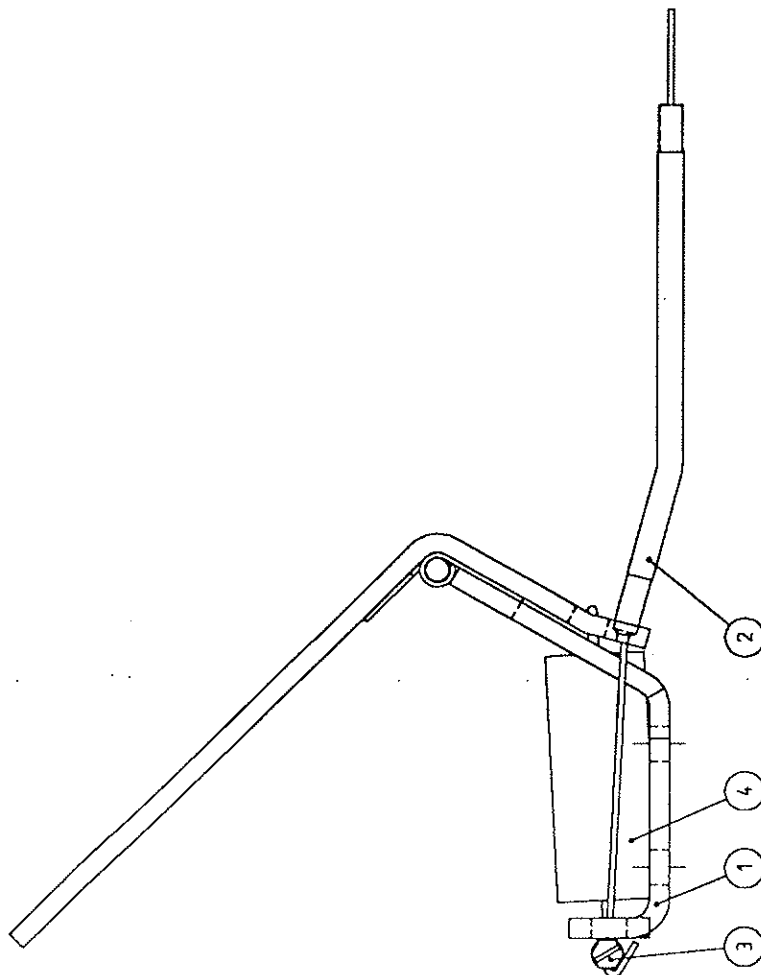
1	64088	1	CONTROL VALVE (DOUBLE SPEED)
2	A41637	1	SUPPORT PLATE
3	A3951	1	LEVERAGE FRAME
4	63690	6	JOINT ARM ASAHI JAM 6
5	72317	12	NUT M6 DIN 924
7	A41821	4	LEVERAGE PIN
8	A41822	8	LEVERAGE NUT M 6
9	64087	1	ELBOW FITTING 90 DEGR.
10	A3953	1	CONTROL LEVER, RH
11	A3952	1	CONTROL LEVER, RH
12	72624	2	BALL KNOB C 40 M 8
13	64041	12	BASIC FITTING F40XS10-3/8
14	64043	3	ELBOW FITTING 90 DEGR. C6XS10
15	64044	6	ELBOW FITTING 90 DEGR. C40XS10-3/8
16	64040	4	BASIC FITTING F40XS10-1/2
17	A42088	1	COMBINER BLOCK
18	64045	1	ELBOW FITTING 90 DEGR. C40XS12-1/2
19	64046	3	LEAD-THROUGH FITTING WTX-XLNS12
20	64047	3	CONNECTING NIPPLE 6030-08-08
21	A41645	4	HYDRAULIC HOSE L=1400
22	A41891	1	HYDRAULIC HOSE L=1150
23	A41890	2	HYDRAULIC HOSE L=1400
24	A41655	1	HYRAULIC HOSE L=600
25	A41656	2	HYDRAULIC HOSE L=720
26	A41657	2	HYDRAULIC HOSE L=3100
27	73457	2	QUICK COUPLER 1/2" (FEMALE)
28	64089	1	CONTROL VALVE CASAPPA
29	72150	2	HEX.HD.SCREW M10*25 DIN 933 ZN
30	72322	2	NUT M 10 NYLOC DIN 985
31	74327	3	COVERING RUBBER F12/56*40
32	73424	8	CABLE TIE 375 MM PLT 4S-M
33	64051	1	REDUCTOR TRTXS12-10
34	64052	1	BINDING NUT BTXS12
35	A42089	4	BANJO BOLT
36	73379	8	USIT-COMPRESSION 3/8"
37	A41831	2	HYRAULIC HOSE L=400
38	64083	1	CLAMP KTXS12
39	A41666	1	QUICK COUPLER SUPPORT FOR 3 COUPLERS
40	73039	2	HEXAGONAL SCREW M 8*16 DIN 933 ZN
41	73962	2	SPACER M 8 DIN 127
42	72139	3	HEXAGONAL SCREW M 8*60 DIN 931
43	72320	3	NUT M8 NYLOC DIN 985
44	64082	1	CONNECTION NIPPLE
45	73409	1	QUICK COUPLER NIPPLE 1/2" (MALE)
46	A41953	1	HYDRAULIC HOSE L=1950

1	A31012	2	WHEEL HUB, BACK 18*7,50-8
2	A31011	2	WHEEL HUB, FRONT 18*7,50-8
3	64038	8	BEARING 6008 2RS
4	71705	4	WASHER M 27 DIN 125
5	74421	4	HEXAGONAL NUT M27*2 DIN 985
7	A41663	2	PULLING CHAIN 16M-1
8	A4434	2	PULLING CHAIN 16B1
9	73606	4	CONNECTION LINK
10	A41627	1	WEDGE RH
11	A41630	1	WEDGE LH
12	64094	2	HYDR.MOTOR SAM AR160 NC 25
13	A42150	2	CHAIN WHEEL
14	A41675	2	WASHER F45*7
15	73962	2	SPACER M 8 DIN 127
16	73039	2	HEXAGONAL SCREW M 8*16 DIN 933 ZN
17	73389	4	HEX.HD.SCREW M12*60 DIN 933
18	73058	4	HEXAGONAL SCREW M 12*40 DIN 933 ZN
19	72150	6	HEX.HD.SCREW M10*25 DIN 933 ZN
20	73121	6	WASHER M 10 DIN 125 ZN
21	72323	4	NUT M12 DIN 934
22	72324	4	NUT M 12 NYLOC DIN 985
23	72322	6	NUT M 10 NYLOC DIN 985
24	A41608	1	COUNTER SHEET FE52C 6*295*324
25	73356	2	WASHER M12 DIN126 ZN
26	72184	4	HEX.HD.SCREW M14*40 DIN 933
27	72327	4	NUT M 14 NYLOC DIN 985
28	63503	4	WHEEL 18*7,5-8 AVANT CAT
29	73743	16	WHEEL NUT M12*1,5
30	A31033	1	FLOW CONNECTION SERIE FOR HYDR.MOTOR

Avant ProfiCat Double Speed

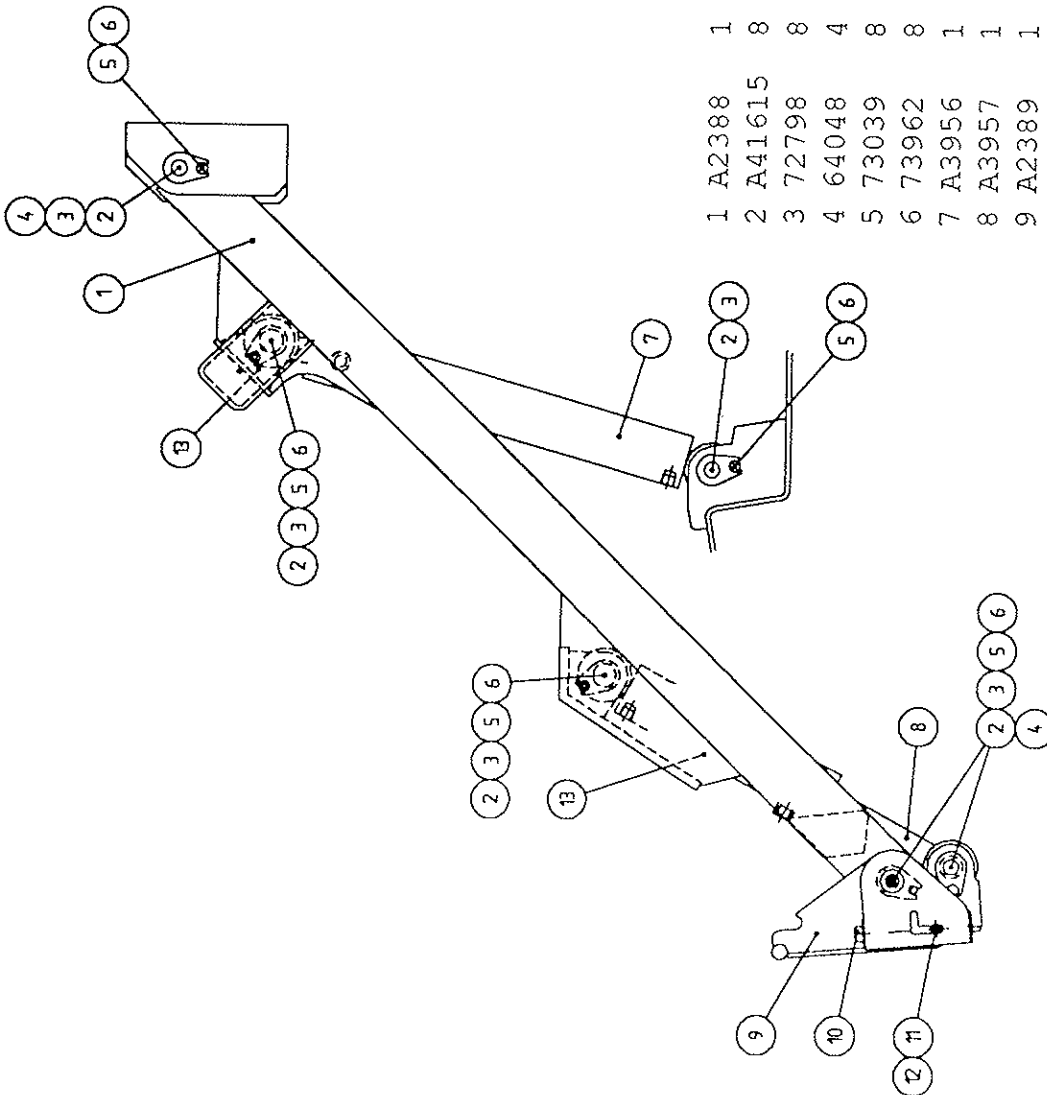


1	63512	1	COMBUSTION ENGINE HONDA GX 340
2	A4431	1	VIBRATION DAMPER (RUBBER)
3	A41842	4	RUBBER WASHER F30, S=10, 60 SHA
4	71685	4	WASHER M 8 DIN 440 ZN
5	72320	4	NUT M8 NYLOC DIN 985
6	72139	4	HEXAGONAL SCREW M 8*60 DIN 931
7	71884	4	HEXAGONAL SCREW M 8*25 DIN 912
8	73962	4	SPACER M 8 DIN 127
9	A31094	1	PUMP SUPPORT, HONDA 11HP/20HP
10	A4419	1	INTERMEDIATE SWITCH
11	71880	4	HEXAGONAL SCREW M 6*25 DIN 912
12	71682	4	WASHER M6 DIN 6798
13	64057	1	HYDRAULIC PUMP HI AP100/8-D-218
14	73747	1	PRESSURE FLANGE 1 GQ 38 (R3/8" AL)
15	A4428	1	INLET FLANGE FE52C F40-36
16	73744	1	O-RING NBR F 15,1*1,6
17	73766	4	HEXAGONAL SCREW M6*16 DIN 912
18	A41667	1	INLET HOSE 3/4" - 330
19	73530	2	HOSE CLAMP 22-32 MM
20	64054	1	DRAW-SPRING SF-DF 1,2*10*30
22	A42106	1	SPACER



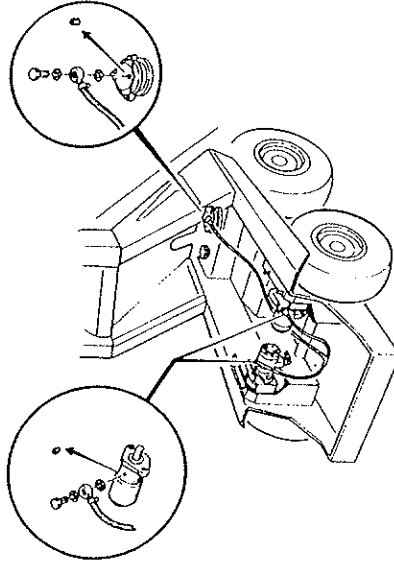
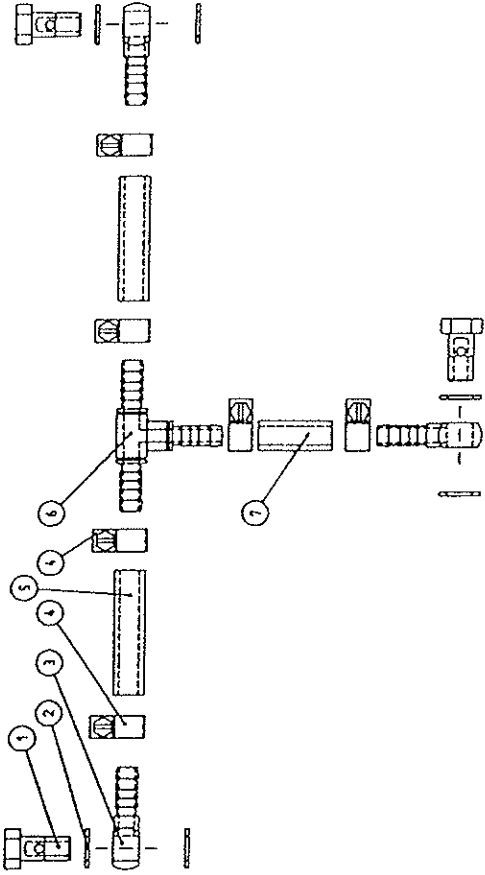
1	A3962	1	GAS PEDAL
2	A42149	1	GAS WIRE, ASSEMBLY
3	73984	1	SCREW NIPPLE 128.241 S&N
4	64026	1	DRAW-SPRING SF-DF 2,5*25*80

Avant ProfiCat Double Speed

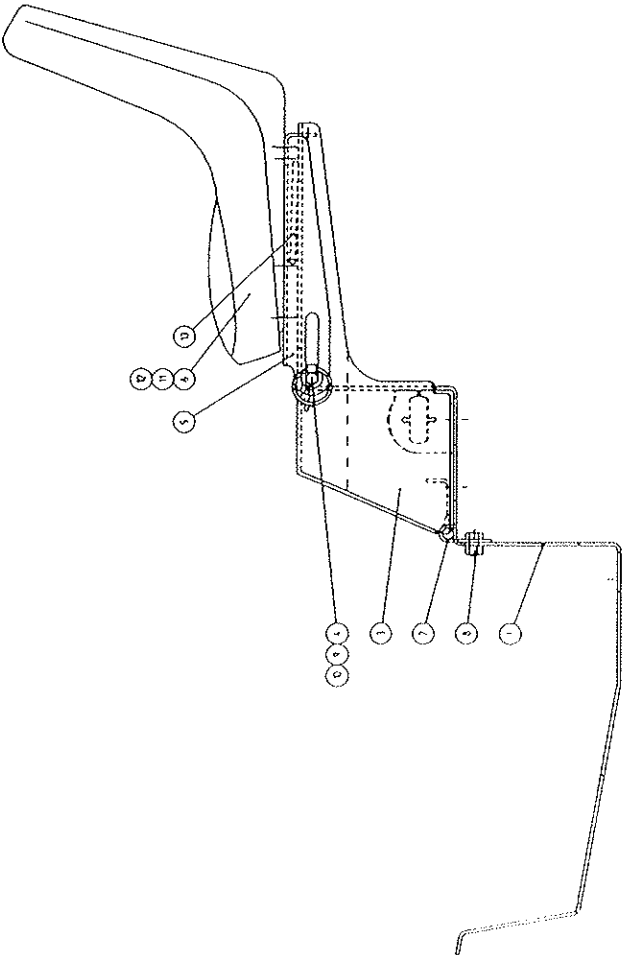


1	A2388	1	BOOM, WELD.ASSY
2	A41615	8	JOINT PIN
3	72798	8	NIPPLE R 1/8"
4	64048	4	BEARING SLEEVE GSM-3034-40
5	73039	8	HEXAGONAL SCREW M 8*16 DIN 933 ZN
6	73962	8	SPACER M 8 DIN 127
7	A3956	1	HYDR. CYLINDER F60/F30-360LMIN=590
8	A3957	1	HYDR. CYLINDER F60/F30-150LMIN=380
9	A2389	1	QUICK COUPLING PART
10	A41820	2	QUICK COUPLING PIN F 20
11	74413	2	HEXAGONAL SCREW M 8*80 DIN 912 ZN
12	64061	2	PRESSURE SPRING SS2387 2,5*25*118
13	73760	2	PIPE CLAMP RSB

Avant ProfiCat



- | | | | |
|---|--------|---|------------------------|
| 1 | 73947 | 3 | BANJO CONNECTOR R 1/8" |
| 2 | 73939 | 6 | WASHER |
| 3 | 73940 | 3 | BANJO CONNECTOR |
| 4 | 74405 | 6 | HOSE CLAMP (13-10 MM) |
| 5 | A41892 | 2 | LEAKAGE HOSE L=250 |
| 6 | 74424 | 1 | T-CONNECTOR T-06 |
| 7 | A41893 | 1 | LEAKAGE HOSE L=750 |



- | | | | |
|----|--------|---|-------------------------------|
| 1 | A2447 | 1 | FLOOR, WELD.ASSEMBLY |
| 2 | A41952 | 2 | PIVOT LINK |
| 3 | A2445 | 1 | SEAT FRAME |
| 4 | A41867 | 1 | SEAT PIN |
| 5 | A31013 | 1 | SEAT BASE |
| 6 | 73734 | 1 | SEAT PAN AVANT CAT |
| 8 | 72322 | 2 | NUT M 10 NYLOC DIN 985 |
| 9 | 73356 | 1 | WASHER M12 DIN126 ZN |
| 10 | 71725 | 1 | SIRCLE PIN 4,5 MM |
| 11 | 74422 | 4 | HEXAGONAL SCREW UNC 3/8"*5/8" |
| 12 | 74423 | 4 | WASHER M10 DIN 126 |
| 13 | A31014 | 1 | SEAT STOPPER BAND |

